

**BALDOR® • RELIANCE** 

**Product Information Packet**

**CFSWDM3613T-5E**

**5HP,3500RPM,3PH,60HZ,184TC,3634M,TEFC,F1**

Part Detail							
Revision:	G	Status:	PRD/A	Change #:		Proprietary:	No
Type:	AC	Elec. Spec:	36WGT421	CD Diagram:	CD0006	Mfg Plant:	
Mech. Spec:	36R552	Layout:	36LYR552	Poles:	02	Created Date:	08-01-2017
Base:	RG	Eff. Date:	01-22-2020	Leads:	3#16		

Specs			
Catalog Number:	CFSWDM3613T-5E	KVA Code:	L
Enclosure:	TEFC	Lifting Lugs:	Standard Lifting Lugs
Frame:	184TC	Locked Bearing Indicator:	Locked Bearing
Frame Material:	Stainless Steel	Motor Lead Quantity/Wire Size:	3 @ 16 AWG
Output @ Frequency:	5.000 HP @ 60 HZ	Motor Lead Exit:	Ko Box
Synchronous Speed @ Frequency:	3600 RPM @ 60 HZ	Motor Lead Termination:	Flying Leads
Voltage @ Frequency:	575.0 V @ 60 HZ	Motor Type:	3634M
XP Class and Group:	None	Mounting Arrangement:	F1
XP Division:	Not Applicable	Power Factor:	95
Agency Approvals:	UR	Product Family:	WD All SS Encapsulated
	CSA	Pulley End Bearing Type:	Sealed Bearing
Auxillary Box:	No Auxillary Box	Pulley Face Code:	C-Face
Auxillary Box Lead Termination:	None	Pulley Shaft Indicator:	Standard
Base Indicator:	Rigid	Rodent Screen:	None
Bearing Grease Type:	Polyrex EM (-20F +300F)	RoHS Status:	ROHS COMPLIANT
Blower:	None	Shaft Extension Location:	Pulley End
Current @ Voltage:	4.500 A @ 575.0 V	Shaft Ground Indicator:	No Shaft Grounding
Design Code:	B	Shaft Rotation:	Reversible

<b>Drip Cover:</b>	No Drip Cover	<b>Shaft Slinger Indicator:</b>	Shaft Slinger
<b>Duty Rating:</b>	CONT	<b>Speed Code:</b>	Single Speed
<b>Electrically Isolated Bearing:</b>	Not Electrically Isolated	<b>Motor Standards:</b>	NEMA
<b>Feedback Device:</b>	NO FEEDBACK	<b>Starting Method:</b>	Direct on line
<b>Front Face Code:</b>	Standard	<b>Thermal Device - Bearing:</b>	None
<b>Front Shaft Indicator:</b>	None	<b>Thermal Device - Winding:</b>	None
<b>Heater Indicator:</b>	No Heater	<b>Vibration Sensor Indicator:</b>	No Vibration Sensor
<b>Insulation Class:</b>	H	<b>Winding Thermal 1:</b>	None
<b>Inverter Code:</b>	Inverter Ready	<b>Winding Thermal 2:</b>	None

Nameplate NP1953M05											
CAT.NO.	CFSWDM3613T-5E										
SPEC.	36R552T421G2										
HP	5										
VOLTS	575										
AMPS	4.5										
R.P.M.	3500										
FRAME	184TC					HZ	60			PH	3
SER.F.	1.15			CODE	L		DES.	B		CLASS	H
NEMA NOM. EFF.	89.5					P.F.	95				
RATING	40C AMB-CONT										
CC	010A					USABLE AT 208V					
DE	6206					ODE	6206				
ENCL	TEFC			SN							
	4:1CT, 10:1VT										

Parts List		
Part Number	Description	Quantity
SA346216	SA 36R552T421G2	1.000 EA
RA334726	RA 36R552T421G2	1.000 EA
36FN3000C01SP	EXFN, PLASTIC, 5.25 OD, .912 ID	1.000 EA
35CB1012A01	35-36 MACH MID SECTION - 3 PC. CONDUIT B	1.000 EA
RM1070A81	O-RING, -043 VITON/FKM .070CS X 3.489ID	1.000 EA
10XN1032FS08	HEX HD CAP SCREW 10-32 X 1/2 SS FOOD SAF	3.000 EA
11XW1032G08	10-32 X .50, TAPTITE II, HEX WSHR SLTD U	1.000 EA
HW3001B01	BRASS CUP WASHER, FOR #10 SCREW	1.000 EA
36EP1920A02	FREP TEFC 206 BRG WD11/12 (STAINLESS)	1.000 EA
RM1070A42	O-RING,(#70-7.239) VITON .070X7.239	1.000 EA
HW4600G02	30 X 47 X 8 LIP SEAL, GRAPHITE INFUSED V	1.000 EA
HW4600F25	30 X 48 X 4.5 AFX SEAL, GRAPHITE INFUSED	1.000 EA
HW4500S33	1/8 NPT STAINLESS #304 SS PLUG	3.000 EA
HA4002A03	#304 S.S. DRAIN FITTING, .125 NPT (.44 H	1.000 EA
HW5100A06	W2420-025 WVY WSHR (WB)	1.000 EA
36EP1925A02	PUEP 182-4TC ENCL 206 BRG WD11/12 STAINL	1.000 EA
RM1070A42	O-RING,(#70-7.239) VITON .070X7.239	1.000 EA
HW4600G02	30 X 47 X 8 LIP SEAL, GRAPHITE INFUSED V	1.000 EA
HW4600F25	30 X 48 X 4.5 AFX SEAL, GRAPHITE INFUSED	1.000 EA
HW4500S33	1/8 NPT STAINLESS #304 SS PLUG	3.000 EA
HA4002A03	#304 S.S. DRAIN FITTING, .125 NPT (.44 H	1.000 EA
RM1070A14	O-RING, -010 VITON/FKM .070CS X .239ID	4.000 EA
11XB1214S16	12-14X1.00 HXWSSLD TYP B STAINLESS	1.000 EA
36FH4007	FAN COVER #304 STAINLESS W/OUT GREASER	1.000 EA

<b>Parts List (continued)</b>		
<b>Part Number</b>	<b>Description</b>	<b>Quantity</b>
10XN1032FS06	HEX HD CAP SCREW 10-32 X 3/8 SS FOOD SAF	3.000 EA
35CB1511A01	35-36-37 MACH. LID - 3 PC. CONDUIT BOX	1.000 EA
RM1070A81	O-RING, -043 VITON/FKM .070CS X 3.489ID	1.000 EA
HW2502E16	#303 SS,SQ KEY 1/4 X 1.750	1.000 EA
HA7000A02	KEY RETAINER RING, 1 1/8 DIA, 1 3/8 DIA	1.000 EA
MJ5001A27	32220KN GRAY SEALER *MIN BUY 4 QTS=1GAL	0.005 QT
MJ5004A93	FOOD GRADE (H1 RATED) ANTISEIZE THRD COM	0.005 EA
MJ1000A02	GREASE, MOBIL POLYREX EM - 124047	0.050 LB
WD5603A02	KIT, CLOSED-END LEAD SPLICE (18-14GA)	1.000 EA
HA3101FS54	THRUBOLT, 1/4-20 X 11.750 SS FOOD SAFE	4.000 EA
36PA1001	PKG GRP, PRINT PK1017A06	1.000 EA
MN416A01	TAG-INSTAL-MAINT no wire (1200/bx) 3/19	1.000 EA
HA5027A07	85XU1208S08 FACE DRAIN PINS BAGGED	1.000 EA
FE-0000002	ZRTG FE ASSEMBLY	1.000 EA
PE-0000002	ZRTG PE ASSEMBLY	1.000 EA

**AC Induction Motor Performance Data**

Record # 29658 - Typical performance - not guaranteed values

<b>Winding:</b> 36WGT421-R001	<b>Type:</b> 3634M	<b>Enclosure:</b> TEFC
-------------------------------	--------------------	------------------------

Nameplate Data				575 V, 60 Hz: Single Voltage Motor	
Rated Output (HP)	5			Full Load Torque	7.49 LB-FT
Volts	575			Start Configuration	direct on line
Full Load Amps	4.5			Breakdown Torque	40.7 LB-FT
R.P.M.	3500			Pull-up Torque	29.3 LB-FT
Hz	60	Phase	3	Locked-rotor Torque	32.5 LB-FT
NEMA Design Code	B	KVA Code	L	Starting Current	52 A
Service Factor (S.F.)	1.15			No-load Current	1.44 A
NEMA Nom. Eff.	89.5	Power Factor	95	Line-line Res. @ 25°C	3.05 Ω
Rating - Duty	40C AMB-CONT			Temp. Rise @ Rated Load	67°C
S.F. Amps				Temp. Rise @ S.F. Load	81°C
				Locked-rotor Power Factor	44
				Rotor inertia	0.152 LB-FT <sup>2</sup>

Load Characteristics 575 V, 60 Hz, 5 HP

% of Rated Load	25	50	75	100	125	150	S.F.
Power Factor	60	81	88	92	92	93	92
Efficiency	83.9	89	90	89.7	88.9	87.5	89.2
Speed	3568	3540	3512	3483	3451	3417	3464
Line amperes	1.9	2.61	3.56	4.5	5.61	6.72	5.17

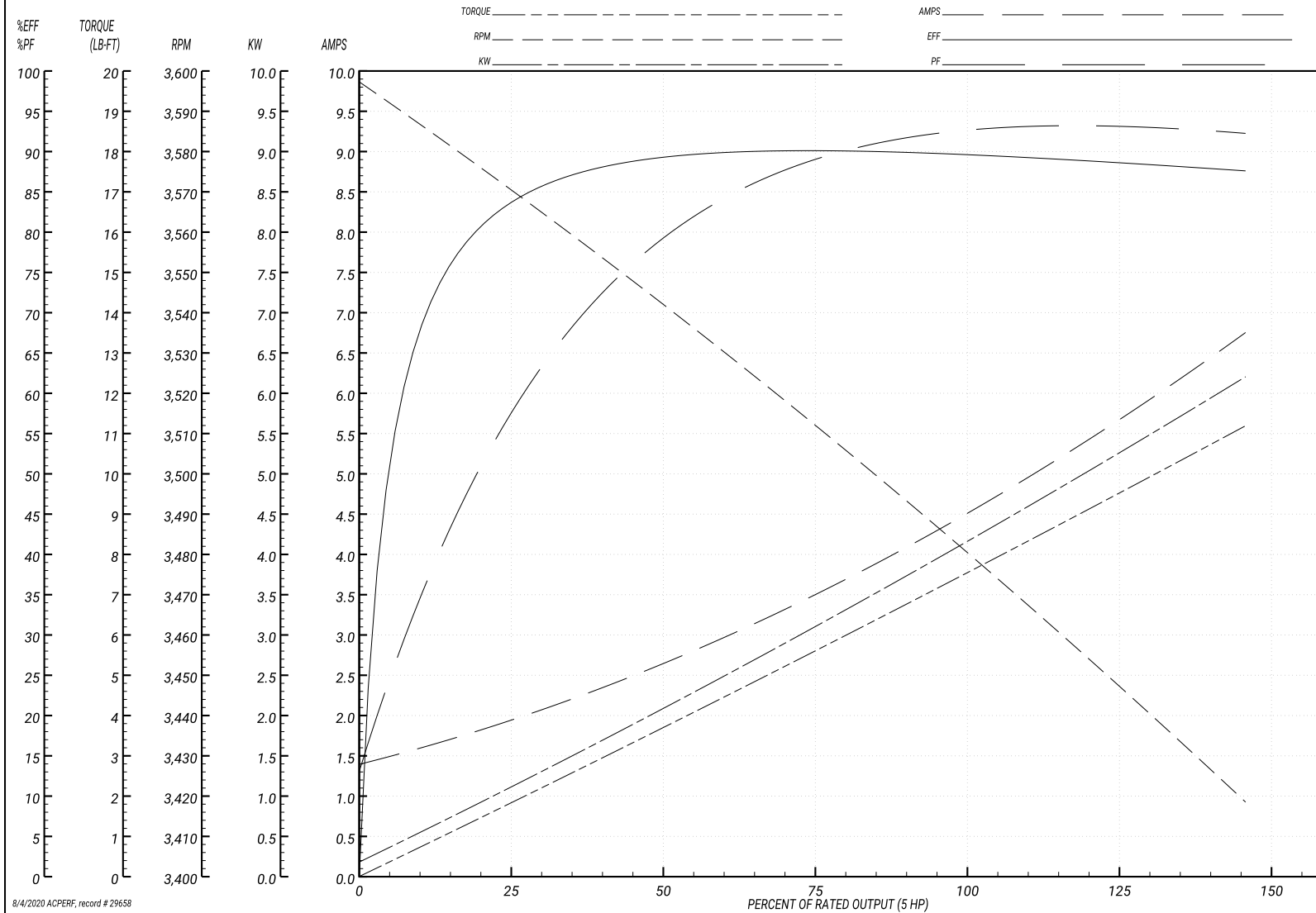
Performance Graph at 575V, 60Hz, 5.0HP Typical performance - Not guaranteed values

ABB Motors and Mechanical Inc.

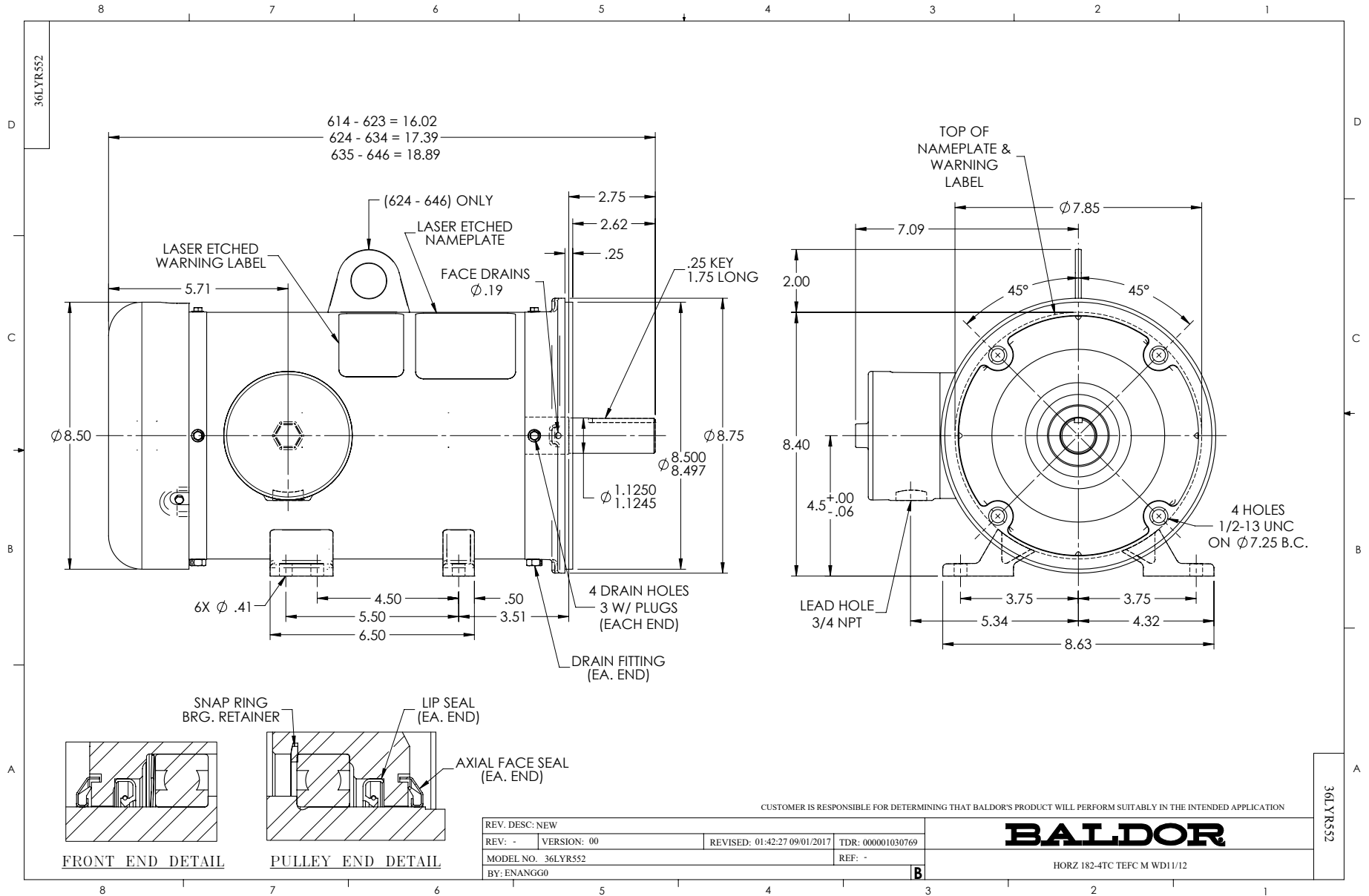
WINDING # 36WGT421

Typical performance - not guaranteed values.

5 HP 3 PH 60 HZ 3500 RPM 575 V 3634M  
 TORQUES(LB-FT): PO=40.7 PU=29.3 LR=32.5 LRA=52



8/4/2020 ACPERF, record # 29658



CD0006



NOTES:

1. THREE LEAD MOTOR MAY BE EITHER WYE CONNECTED OR DELTA CONNECTED.
2. INTERCHANGE ANY TWO LINE LEADS TO REVERSE ROTATION.
3. OPTIONAL THERMOSTATS ARE PROVIDED WHEN SPECIFIED.
4. ACTUAL NUMBER OF INTERNAL PARALLEL CIRCUITS MAY VARY.
5. LEAD COLORS ARE OPTIONAL. LEADS MUST BE NUMBERED AS SHOWN.

CD0006

REV. DESC: ADD CLASS CONN00000007		
REV. LTR: E	VERSION: 01	TDR: 000001099922
FILE: \AAA\00005\141	REVISED: 10:24:49 02/19/2019	BY: ENBRIRO
MTL: -	© □	

**BALDOR - RELIANCE®**

3PH, SV, 3 LEADS, WYE OR DELTA CONNECTED

SH 1 of 1